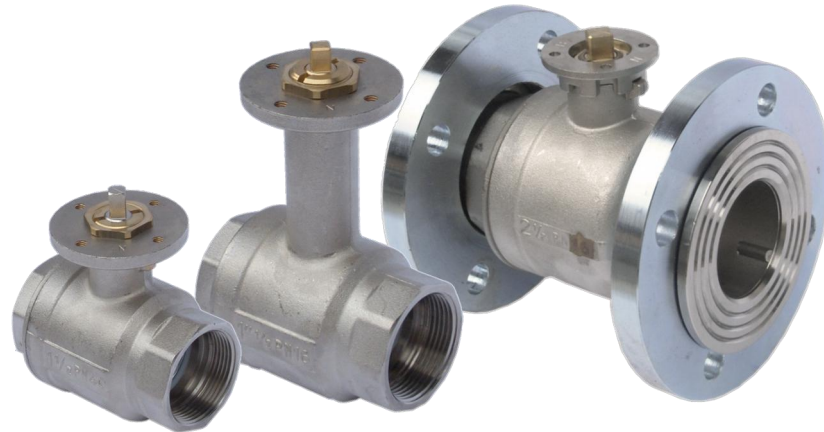


Ticom GmbH
 Bachstrasse 41
 CH 8912 Obfelden
 Tel. ++41 44 763 40 10
 Fax ++41 44 763 40 19
 www.ticom.ch / info@ticom.ch

2-way Ball Valves, DN15 - DN100

Application field

Motorized Ball Valves are used as on/off Valves for building control (e.g. heating, air-conditioning, solar) and sorts of industrial applications.

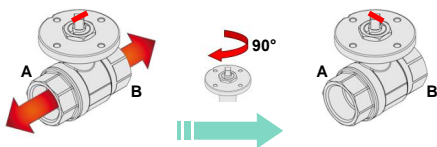
The entire range of TICOVAL 2-way Ball Valves are full bore and achieve exceedingly high flow rates. The Valves thus work very efficiently, thereby improving the efficiency of the entire system.

The Valves are ready for operation with TICOVAL - Actuators EA80(R), EA100(R) and EA500(R).

See reverse for overview of the appropriate Actuators, technical data in accordance with separate data sheets .

Quality features

- full bore
- function free of water hammer
- seat leakage 0.0001 % of kvs-value
- flow possible in both directions
- mounting of Actuator in any 90° position possible
- max. differential pressure with Actuator = PN10 (observe flow noise)
- maintenance-free
- stem seals can be replaced
- optimized for maximum flow, high kvs-value
- high quality design, high durability
- seats supported with O-rings for consistently low torque with guaranteed tightness
- EPDM-O-rings (NBR on request, e.g. for applications with mineral oil-based liquids)

Valve positions
2-way open / closed

Product range 2-way / with female thread

Article-No. Standard	Article-No. Insulation shaft	DN	Thread
750.0221.000	750.0222.000	15	½"
750.0321.000	750.0322.000	20	¾"
750.0421.000	750.0422.000	25	1"
750.0521.000	750.0522.000	32	1 ¼"
750.0621.000	750.0622.000	40	1 ½"
750.0721.000	750.0722.000	50	2"
750.0821.000	-	65	2 ½"
750.0921.000	-	80	3"
750.0021.000	-	100	4"

Product range 2-way / with flanges PN16

Article-No.	DN	Dim.	Article-No.	DN	Dim.
750.0211.000	15	½"	750.0711.000	50	2"
750.0311.000	20	¾"	750.0811.000	65	2 ½"
750.0411.000	25	1"	750.0911.000	80	3"
750.0511.000	32	1 ¼"	750.0011.000	100	4"
750.0611.000	40	1 ½"			

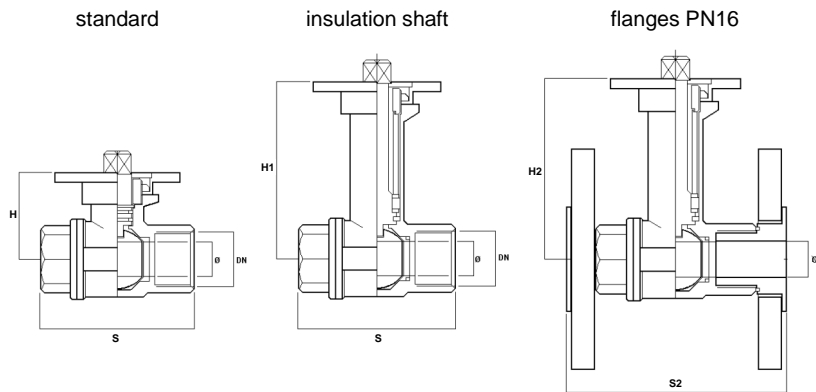
Technical data	
Max. pressure (Valve body)	40 bar (up to 2 1/2") 25 bar (3" and 4") 16 bar (flanged)
Max. differential Δp with Actuator	DN15 - DN40: 10 bar DN50 - DN100: 6 bar <i>(observe flow noise)</i>
Temperature range	-10°C to +120°C
Leakage on seats	0,0001% of kvs-value
Connections	female thread ISO 7/1 or 2x flanges PN16, rotating
Bore	full bore
Ball support	2 seats, with O-rings supported
Stem seals	2 x O-rings
Installation positions	upright to horizontal <i>(based on stem)</i>
Medium	hot / cold water , customary water additives and antifreeze ethylene and propylene-based / no mineral oil

Materials	
Valve body	brass 58, nickel plated
Ball	brass 58, chrome plat.
Stem	brass 58
Flanges	steel, galvanized
Seats	PTFE
Seals	EPDM (NBR on request)

! Instructions of installation

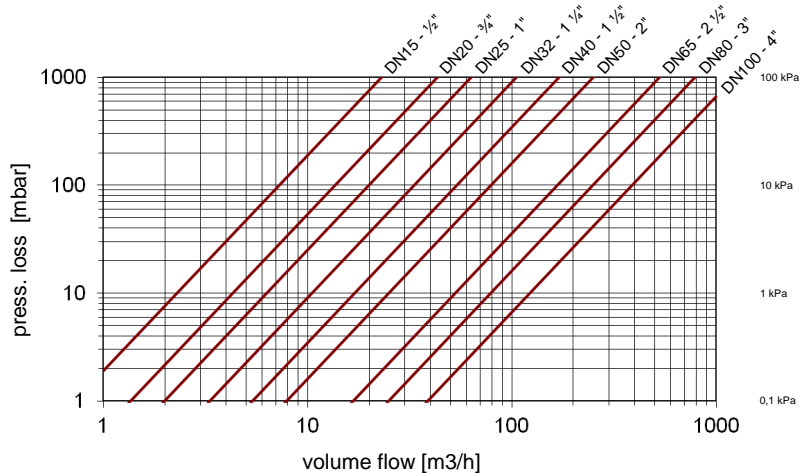
- before attaching Actuator to Valve check correct position of Actuator and Valve stem.
- mounting of Actuator in any 90° position possible.
- see separate installation instructions!

Dimensions / kvs-values



DN - Dim.	Ø bore [mm]	S [mm]	S2 [mm]	H [mm]	H1 [mm]	H2 [mm]	kvs-value
DN15 - 1/2"	15	56	95	41	82	82	23
DN20 - 3/4"	20	68	110	45	86	86	43
DN25 - 1"	25	78	120	49	92	92	63
DN32 - 1 1/4"	32	90	130	61	101	101	105
DN40 - 1 1/2"	39	100	146	66	106	106	170
DN50 - 2"	48	115	167	72	123	123	250
DN65 - 2 1/2"	64	142	190	90	-	90	530
DN80 - 3"	78	157	214	100	-	100	790
DN100 - 4"	100	196	254	127	-	127	1230

Pressure loss diagram



Accessories

Pipe connector Typ 331 1/2" DN15 to 2" DN50 (see price list)

Combinations Actuators / Valves

Dimensions	Range of Actuators (detailed information see corresponding data sheets)					
	EA80(R)		EA100(R)		EA500(R)	EA103 / EA502
	45 sec. - 9 nm	60 sec. - 13 nm	60 sec. - 20 nm	30 sec. - 17 nm	60 sec. - 60 nm	proportional signal
	use for:					
DN15 - 1/2"	✓	✓	✓	✓		✓
DN20 - 3/4"	✓	✓	✓	✓		✓
DN25 - 1"	✓	✓	✓	✓		✓
DN32 - 1 1/4"		✓	✓	✓		✓
DN40 - 1 1/2"			✓	✓		✓
DN50 - 2"			✓	✓		✓
DN65 - 2 1/2"					✓	✓
DN80 - 3"					✓	✓
DN100 - 4"					✓	✓